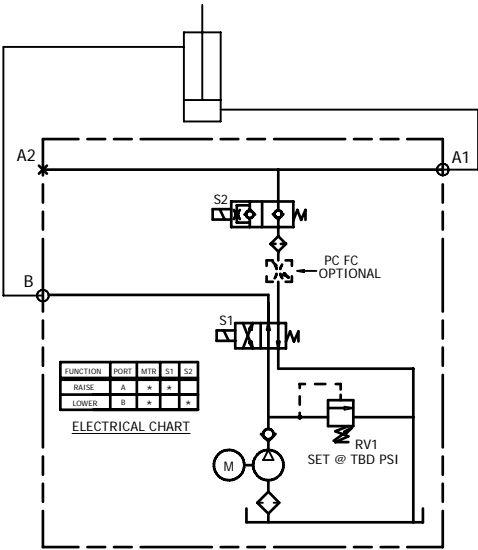
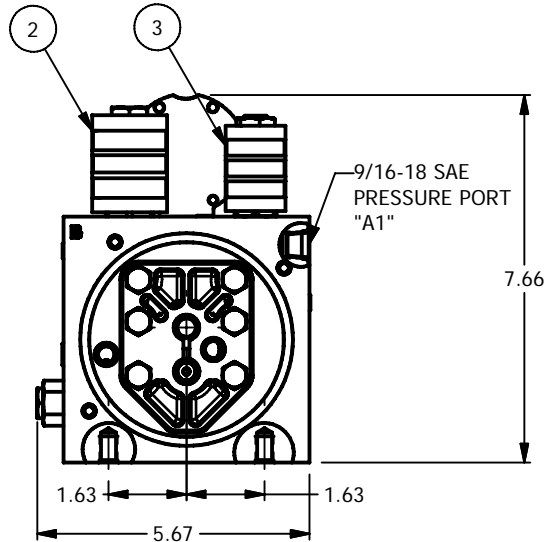
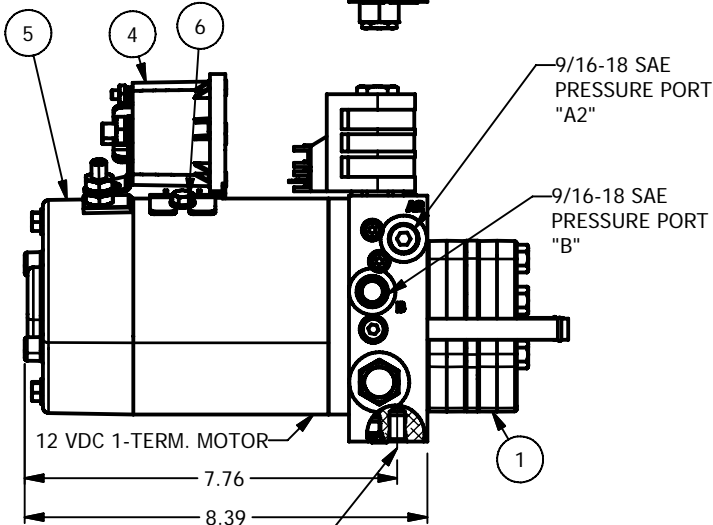
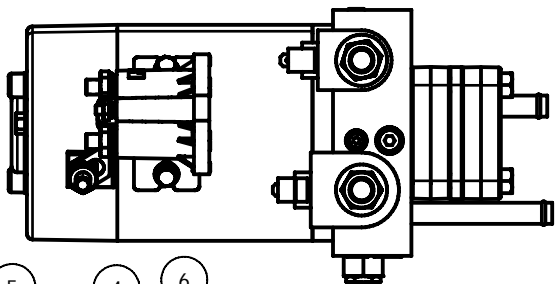
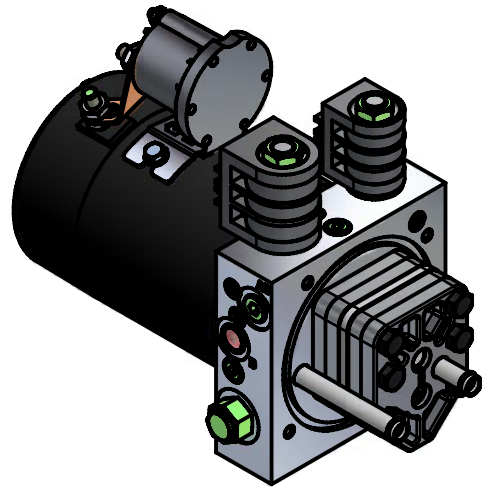


Parts List			
ITEM	QTY	PART NUMBER	DESCRIPTION
1	1	12501189	PUMP, 202
2	1	38502454	10 VDC 4W2P VALVE ASSEMBLY
3	1	38502455	10 VDC 2W2P VALVE ASSEMBLY
4	1	39002155	12 VDC START SWITCH, TROMBETTA
5	1	39200517	MOTOR 12 V.D.C. COMPLETE
6	2	66700920	BOLT 1/4-20 x .25" THREAD FORM



HYDRAULIC SCHEMATIC



REVISION HISTORY				
REV	ECO	DESCRIPTION	DATE	APPROVED
B	9801	REVISE & REDRAWN IN INVENTOR	6/7/2007	KRR
C		ADDED ADDITIONAL PORT A	8/9/07	JET

UNLESS OTHERWISE SPECIFIED:
DECIMAL XXX ± .005
XX ± .010
ANGULAR ± 1°
MACHINED FINISH 125√



MTE HYDRAULICS, INC.
DIVISION OF MECHANICAL TOOL & ENGINEERING CO.
ROCKFORD, ILLINOIS

ASSEMBLY DRAWING #85004258

NOTICE - THIS PRINT CONTAINS PROPRIETARY INFORMATION AND IT IS FURNISHED SUBJECT TO THE EXPRESS CONDITION THAT IT WILL NOT BE USED IN ANY WAY DETRIMENTAL TO MTE HYDRAULICS INC.

SIGNATURE		DATE
DRAFT	kevin	11/28/2005
ENGR.		
RELEASE	9272	11/28/2005
SUPERCEDES		
SUPERCEDED BY		
SPEC NO.	5014	

PART NAME		
SERVICE DRAWING FOR SPEC 5014		
MATERIAL		
THEO. DISPLACEMENT: .000477 GAL/REV.		
HEAT TREAT/FINISH		
SIMILAR TO	DRAWING NUMBER SHEET 1 OF 1	REVISION
SCALE	85203248	C